

.K.18.35.23.R.06.B3.F.1.A.U.G.

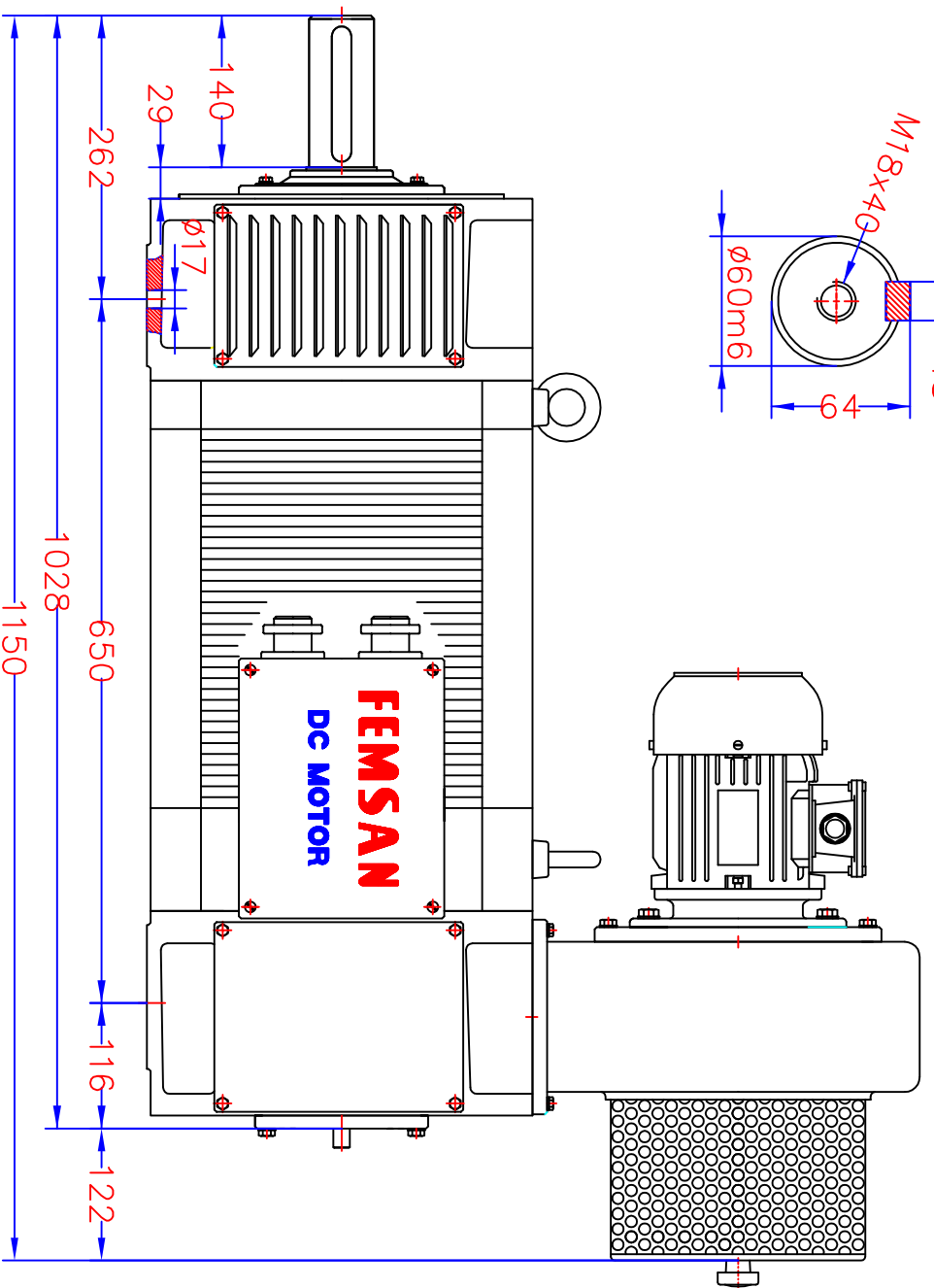
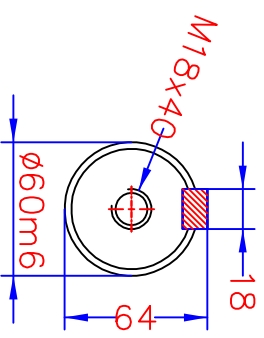
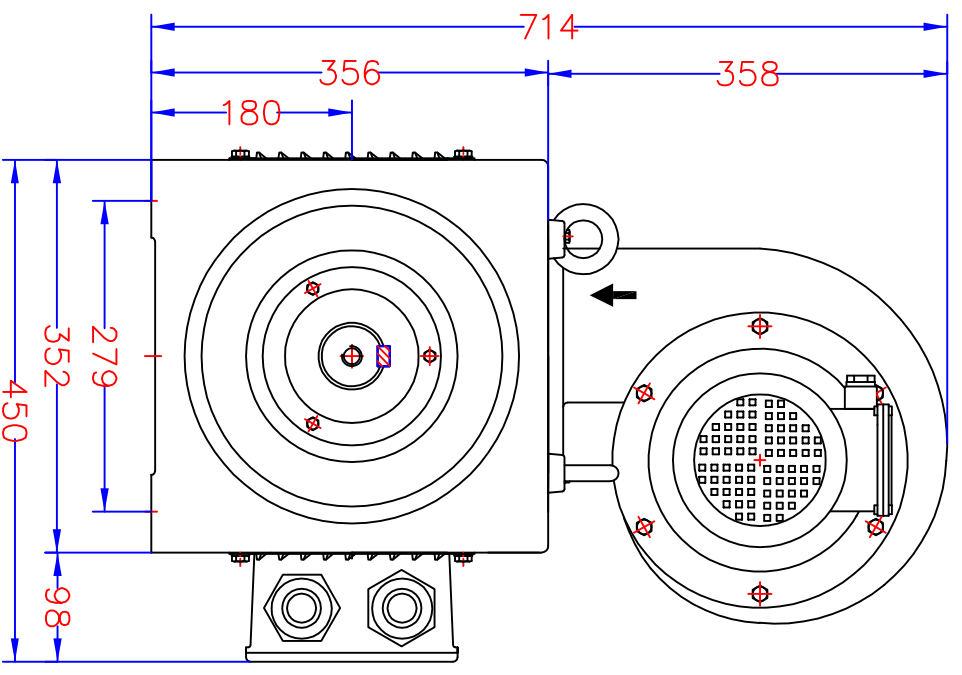
KG Series

.K.18.35.ST.

180 Frame  
350 Type

Dimensions Table of Square Frame, Fully Laminated  
Drip-Proof Protection (IP23), Forced Ventilation (IC06)  
DC Motors

Weight : 462 Kgs.  
Mounting : Foot (IM B3)



**FEMSAN**  
DC MOTOR